

# LR Mate 200iD/4S



Max. load capacity at wrist: 4 kg



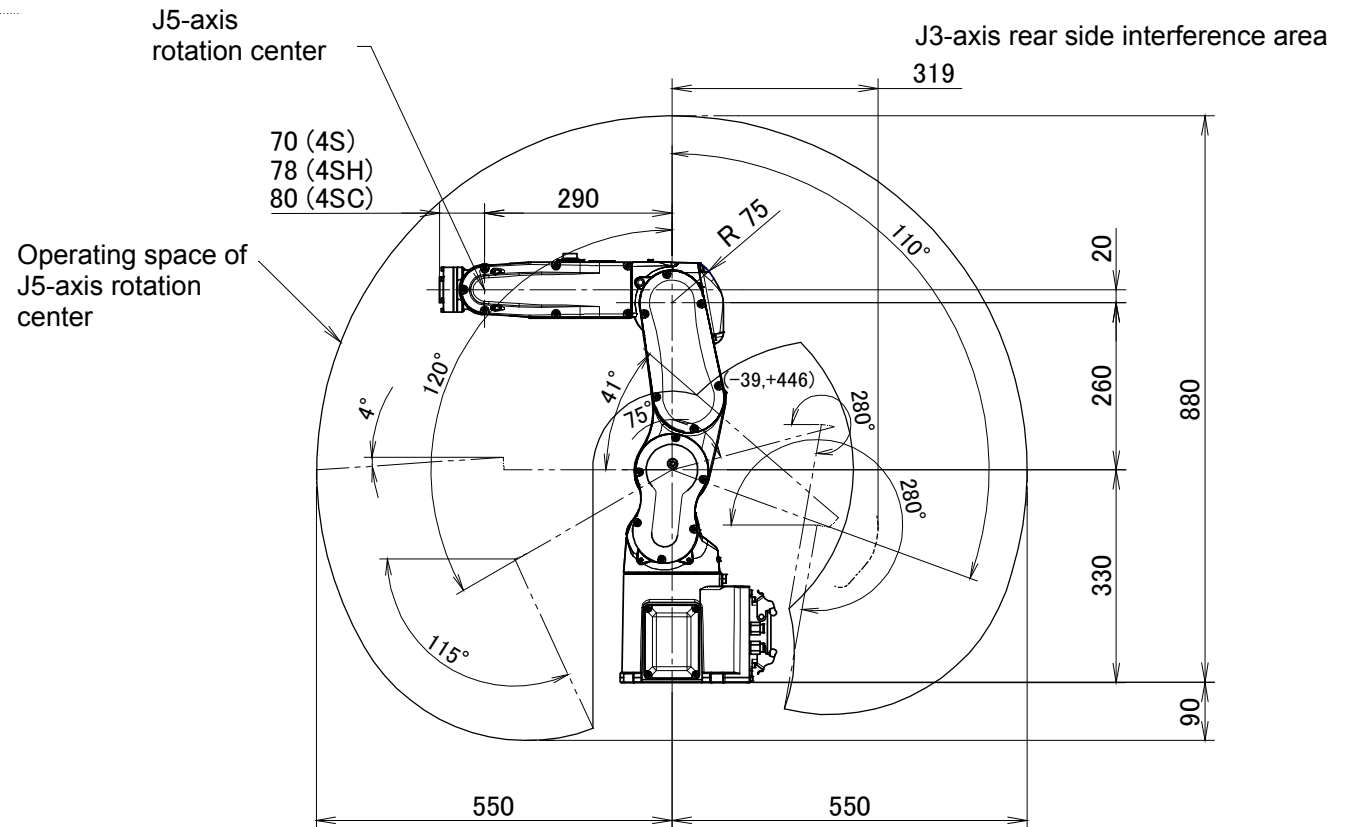
Max. reach: 550 mm

# FANUC

Robot			Max. load capacity at wrist (kg)	Reach (mm)	Controlled axes	Repeatability (mm)	Mechanical weight (kg)	Motion range (°)						Maximum speed (°/s)						J4 Moment/ Inertia	J5 Moment/ Inertia	J6 Moment/ Inertia	Average Power consumption (kW)	Protection	
Series	Version	Type						J1	J2	J3	J4	J5	J6	J1	J2	J3	J4	J5	J6					Body standard/optional	Wrist & J3 arm standard/optional
LR Mate 200	iD	4S	4	550	6	±0.01**	20	340 (360)	230	402	380	240	720	460	460	520	560	560	900	8.86/ 0.2	8.86/ 0.2	4.9/ 0.067	0.5	IP67	IP67

[option] ● standard ○ on request - not available [ ] with hardware and/or software option \*\* Based on ISO9283

LR Mate 200iD/4S Short arm  
(2 integrated solenoid valves)



LR Mate 200iD